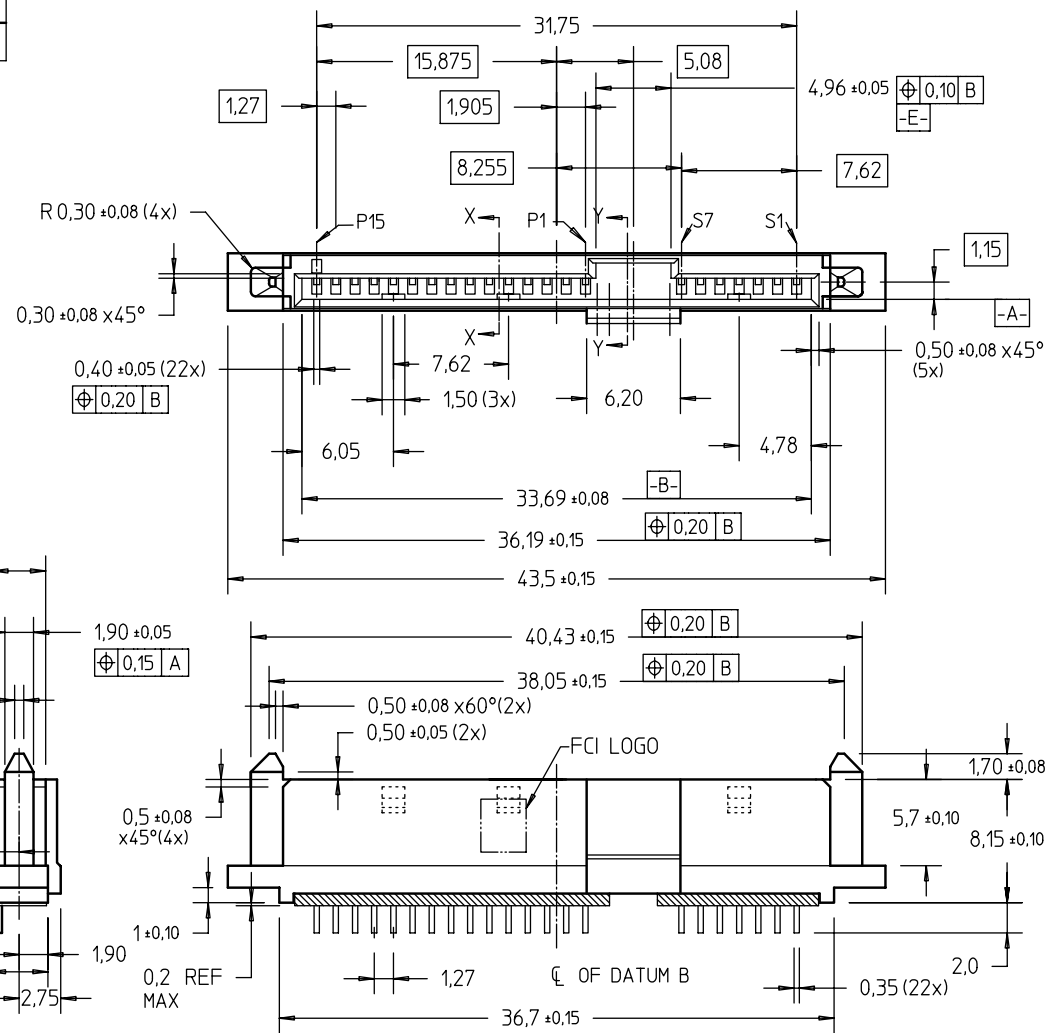


FCI CONFIDENTIAL



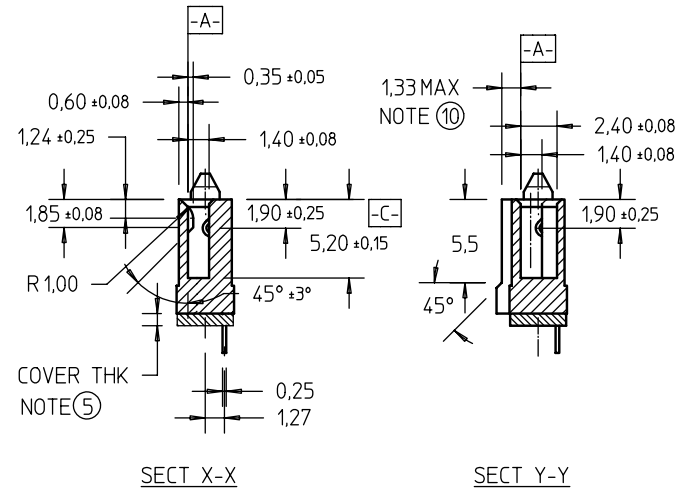
This document is the property of and embodies CONFIDENTIAL and PROPRIETARY information of FCI. No part of the information shown on this document may be used in any way or disclosed to others without the written consent of FCI.
Copyright FCI

PRODUCT NO
10054542-001LF



NOTES: (cont'd)

- 6 THE STD PACKAGING IS IN TRAY.
- 7 THE HOUSING WILL WITHSTAND EXPOSURE TO 260°C PEAK TEMPERATURE FOR 10 SECONDS IN A WAVE SOLDER APPLICATION WITH 1.57MM THICK CIRCUIT BOARD.
- 8 THIS PRODUCT MEETS EUROPEAN UNION DIRECTIVES AND OTHER COUNTRY REGULATIONS AS DESCRIBED IN GS-22-008.
- 9 PART NUMBER ENDING IN "LF" MEANS FOR NOTE 8 LEAD FREE IDENTIFICATION.
- 10 MEASURED AT DATUM C



NOTES:

- 1 THIS PRODUCT MEETS THE SAS SPEC REV 1.7
- 2 MATERIAL:
1) HOUSING : HIGH TEMP. THERMOPLASTIC, UL 94V-0
COLOR : BLACK
- 2) TERMINAL : COPPER ALLOY
- 3 FINISH :
1) TERMINAL : 3u" Au PLATING (CONTACT POINT) OVER 50u" MIN NICKEL
- 2) SOLDER TAIL : 50u" MIN TIN OVER 50u" MIN NICKEL
- 4 TRUE POSITION NOTES APPLY AT TERMINAL TIP

5 COVER :
MATL : THERMOPLASTIC,
THK = 0.8mm REF.

mat'l code		surface <input checked="" type="checkbox"/> ISO 1302		tolerance <input checked="" type="checkbox"/> ISO 406 ISO 1101		projection		product family		SAS	
ltr	ecn no	dr	date	tolerances unless otherwise specified							
A	S06-0175	GLL	5/23/06	angles		linear		mm		title	
				± 2°		= ±0,20		scale 2 : 1		SAS CABLE RECEP CONNECTOR	
				dr	GL	L00	5/23/06	dwg no		sheet 1 of 1	size
				enr	GL	L00	5/23/06	10054542		A4	
				chr	GL	L00	5/25/06	type		CUSTOMER Drawing	
				appd	JOEY NG		5/25/06				
sheet index	revision sheet	A	1								